

# LCD Wall Mount Installation Guide

**Not Suitable for Plasterboard Walls**  
**If you have missing parts or need installation assistance, please call the Ross Helpline.**  
**Ross Helpline: 0800 1695560**

## Warnings

1. Make sure these instructions are read and completely understood before attempting installation. If you are unsure of any part of this installation, contact a professional installer for assistance.
2. The wall or mounting surface must be capable of supporting the combined weight of the mount and the display; otherwise the structure must be reinforced.
3. Safety gear and proper tools must be used. Failure to do so can result in damage or injury.
4. Follow all instructions and recommendations regarding adequate ventilation and suitable locations for mounting your display. Consult the owner's manual for your display for more information.

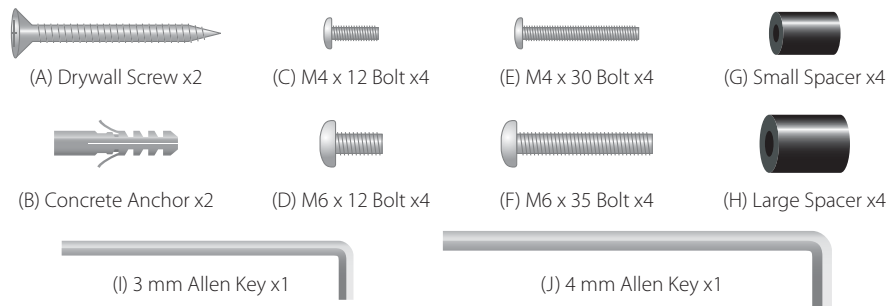
## Required Tools

You will need the following tools to complete your installation:

- Phillips Head Screw Driver
- Electric or Portable Drill
- Stud Finder and 1/8" (3 mm) Drill Bit for Drywall Installation
- 5/16" (8 mm) Masonry Bit for Concrete Installation

## Hardware

Check to make sure all hardware has been included with your mount. You should find the following:



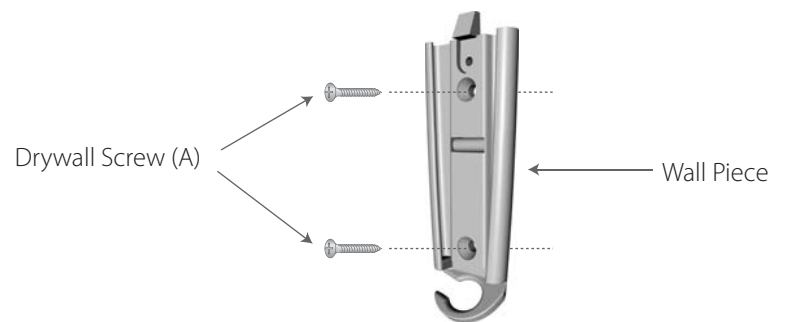
## Installation

### Part 1a – Install the Wall Piece (Drywall)

1. Using a high quality stud finder, locate and mark one stud for installing the wall mount. Use a small nail or awl to verify the location of the stud.
2. Place the wall piece portion of the mount over the center of the marked stud and level it using the integrated bubble guide.
3. Mark off the two holes for securing the mount and place the wall piece aside.
4. Using an electric or portable drill with 1/8" (3 mm) bit, drill the marked holes.
5. Move the wall piece portion of the mount back into place and attach it using the Drywall Screws (A) from the hardware kit. Make sure both screws are snug, but do not to over-tighten them.

### Part 1b – Install the Wall Piece (Concrete)

1. Place the wall piece portion of the mount in the desired location and level it using the integrated bubble guide.
2. Mark off the two holes for securing the mount and place the wall piece aside.
3. Using an electric or portable drill with 5/16" (8 mm) masonry bit, drill the marked holes. After drilling, remove any excess dust from the holes.
4. Insert a Concrete Anchor (B) into each hole. The anchors must be inserted until they are flush with the concrete surface; a hammer can be used to lightly tap each anchor into place if necessary.
5. Move the wall piece portion of the mount back into place and attach it using the Drywall Screws (A) from the hardware kit. Make sure both screws are snug, but do not to over-tighten them.



## Installation (continued)

### Part 2 – Attach the Mount To Your Display

1. Determine the proper length of bolt for attaching the mount to your display by examining the back of the display:
  - a) If your display has a flat back, you will use one of the shorter bolts from the hardware kit (C or E). Carefully test each of the shorter bolts with your display to determine the correct diameter to use.
  - b) If the back of your display is curved or recessed, or if there are any obstructions preventing the mount from resting flat against the back, you will use one of the longer bolts (D or F) along with a spacer (G or H). Carefully test each of the longer bolts with your display to determine the correct diameter to use. Use the Small Spacer (G) with the M4 x 30 Bolts (D) and the Large Spacer (H) with the M6 x 35 Bolts (F).
2. Attach the mount to your display using the hardware determined in Step 1 (see illustration). To avoid damage to your display, do not over-tighten these bolts.



## Installation (continued)

### Part 3 – Slide the Pieces Together

1. To complete the installation, simply slide the mount with your LCD attached into the wall piece. The plastic tab at the top of wall piece should click indicating that the mount is secure.
2. To remove the mount, push in on the plastic tab and then slide the mount up.
3. For additional security and stability, tighten the set screw located on the base of the arm piece using the 3 mm Allen Key (I) supplied in the hardware kit.
4. Use the cable management hook (see illustration) to keep the power cord and other cables for your display in order while adjusting the mount.
5. To change the tilt angle, hold the display with one hand and loosen the tilt adjustment knob. Move the display to the desired position and re-tighten the knob. Other adjustments can be made by simple moving the mount into the desired position.
6. If you find that a joint is too difficult to move or has become too loose, you can adjust the tightness of that joint using the 4 mm Allen Key (J) supplied in the hardware kit.

